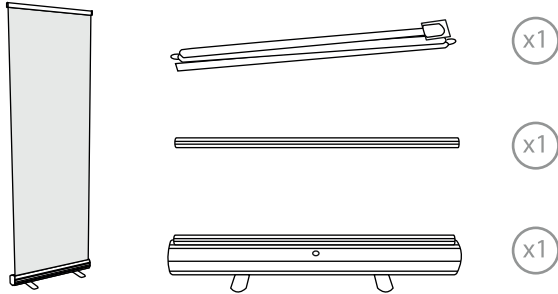


1. GRAPHIC UPPER ATTACHMENT



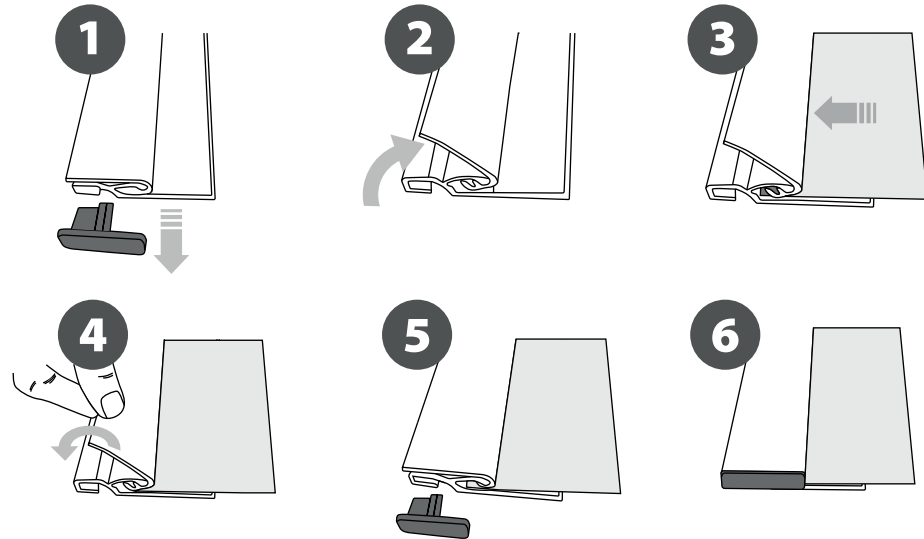
 CONTENT



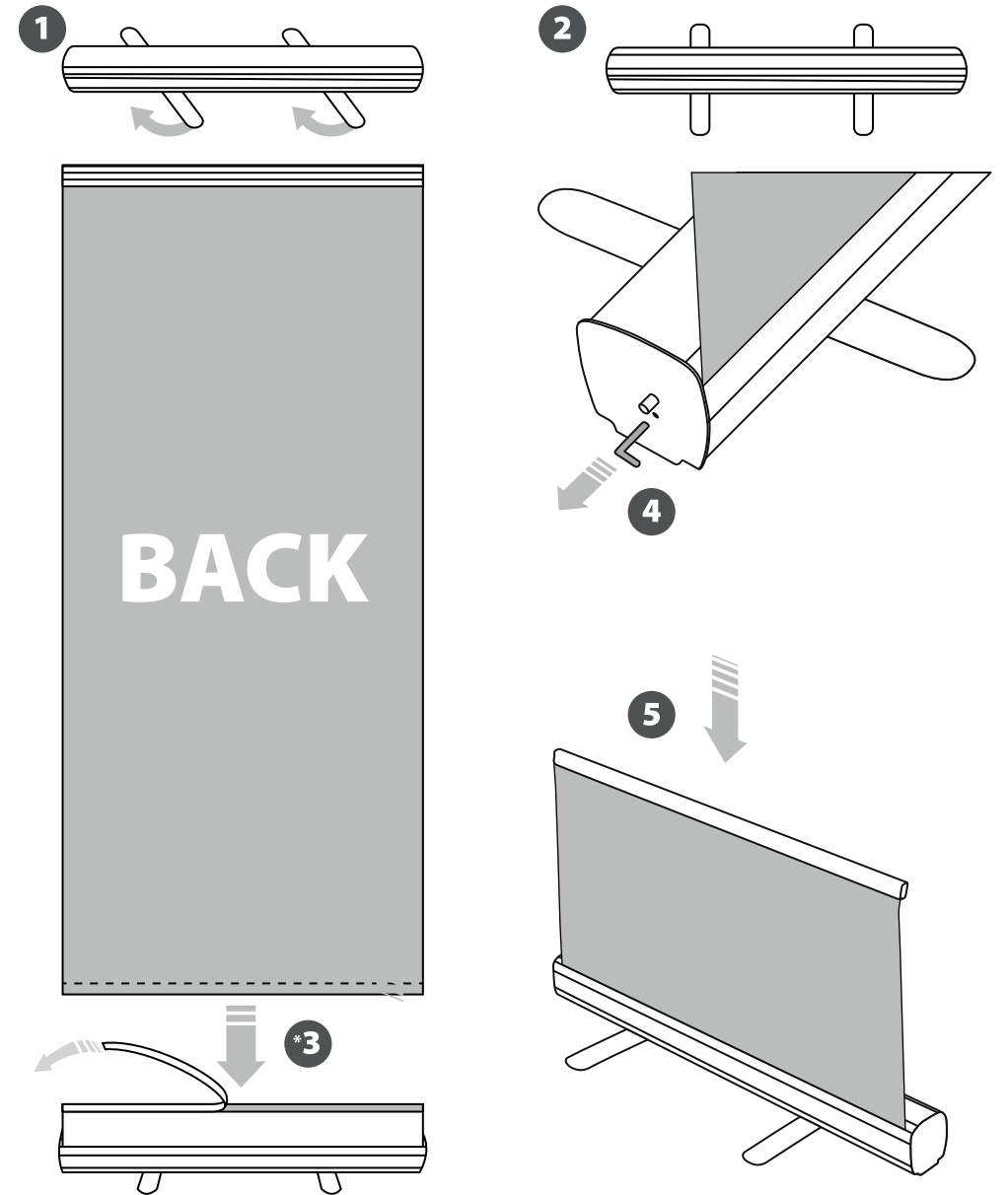
Open the bag, check the content of the bag and take out all the pieces carefully.

To set-up the Roll Up, first you must attach its graphic (supplied separately) to the upper profile following the **next steps** showed below.

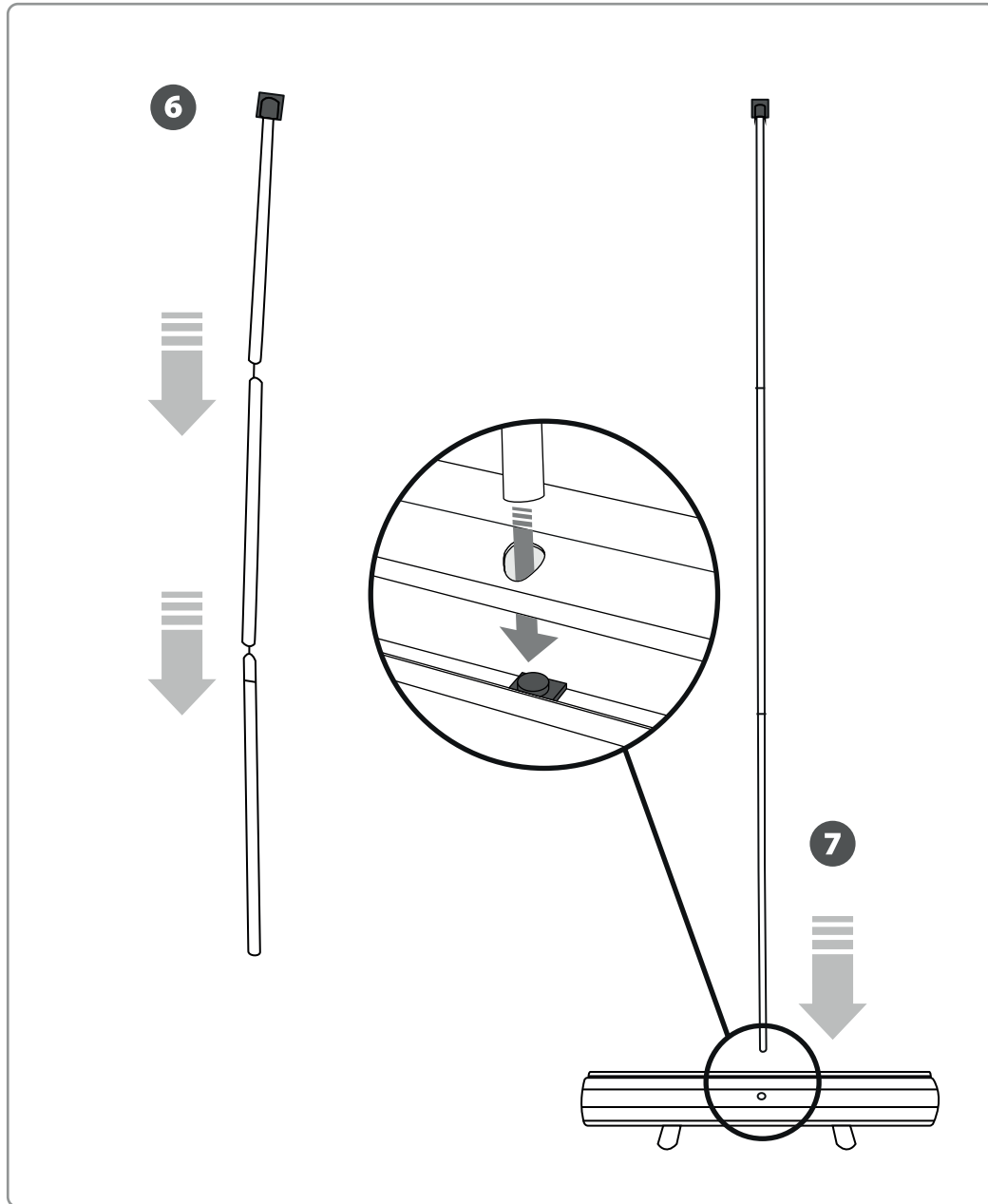
GRAPHIC ATTACHMENT **BY SNAP RAIL**



2. SET UP THE ROLL UP STRUCTURE



3. GRAPHIC BOTTOM ATTACHMENT



4. ROLLING UP THE GRAPHIC

